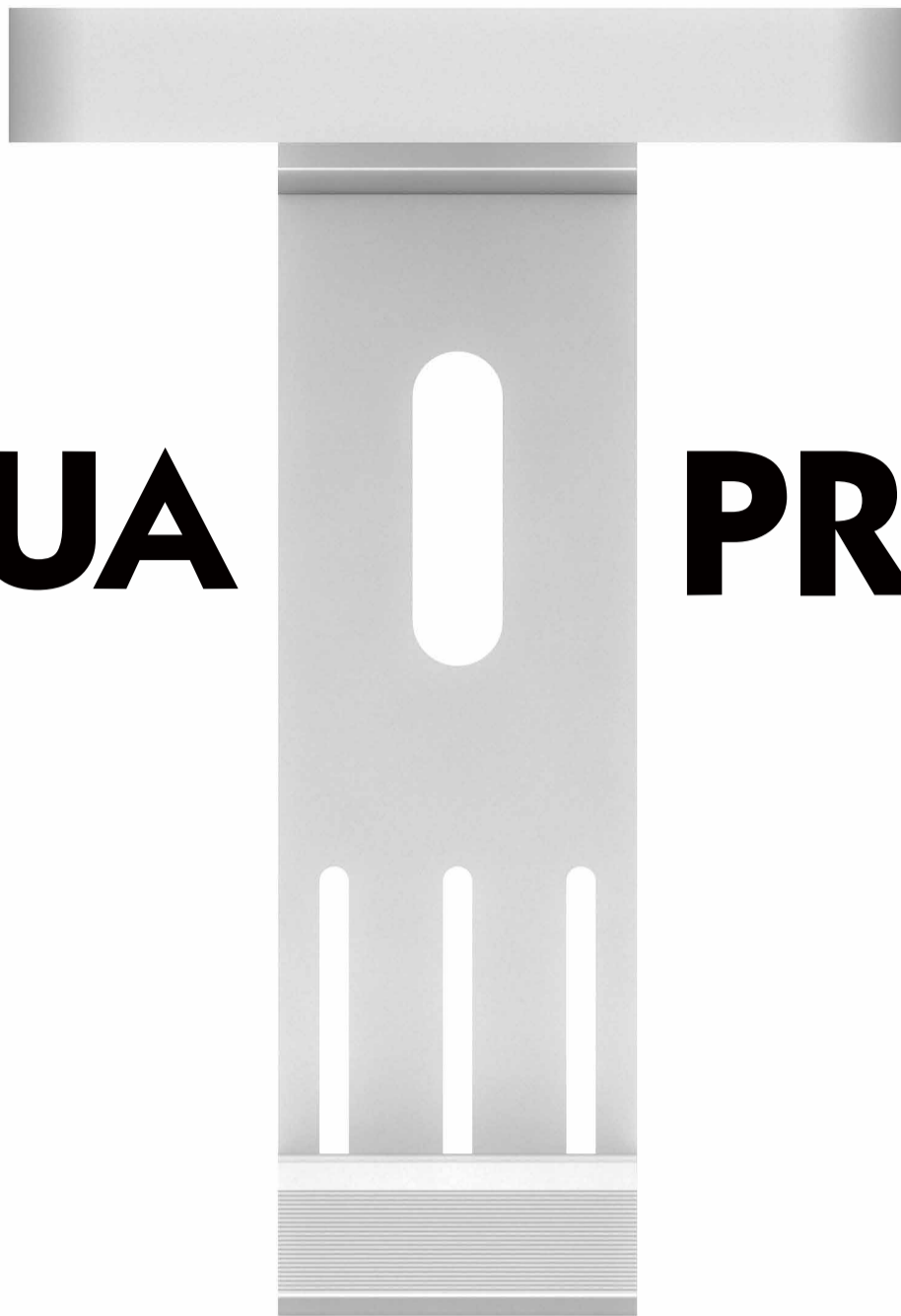




AQUA

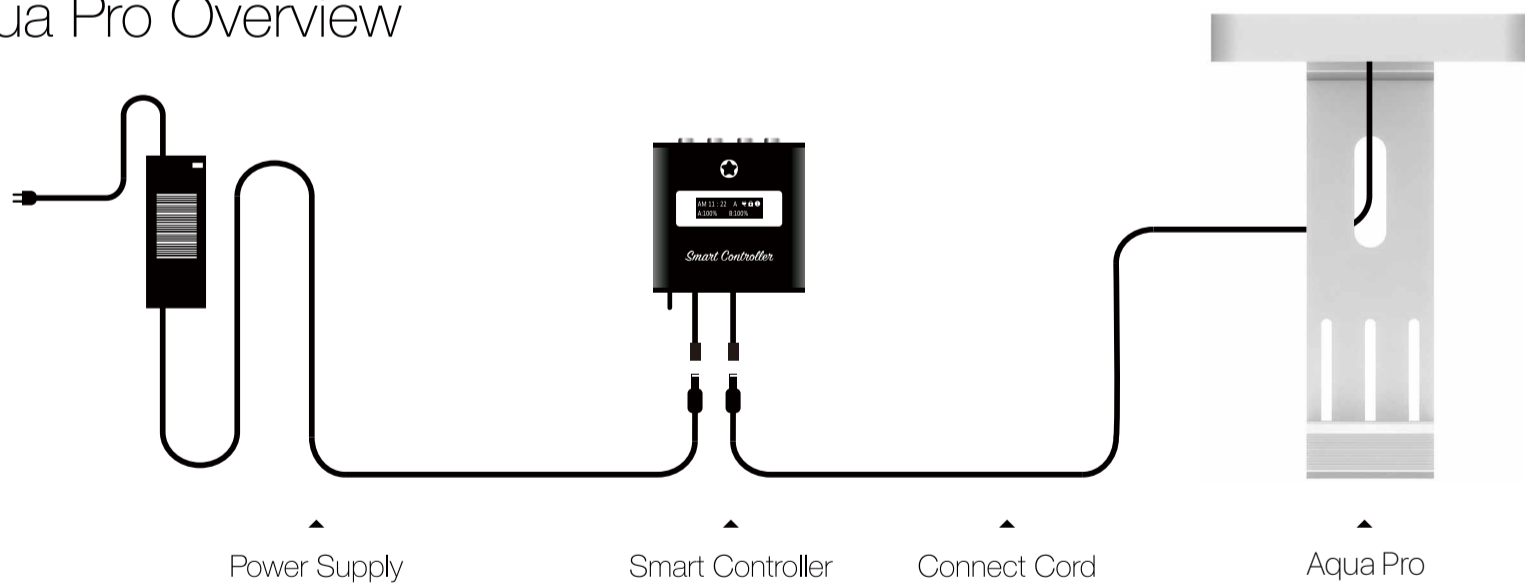
PRO4



Quick Start Guide

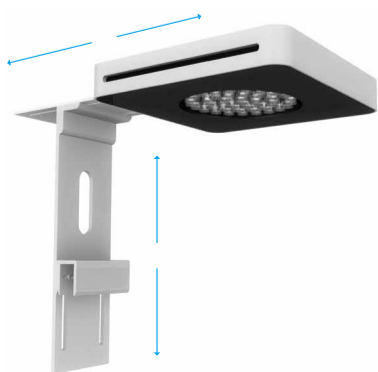
Congratulations on purchasing your Aqua Pro
Read this guide to get started to installing and setting your lighting

Aqua Pro Overview



How to install the Pro Stand and Hanging Kits

❶ Adjust the height and tighten the screws ❷ Fix Bracket to the Aqua Pro



❸ Installing the hanging kits

